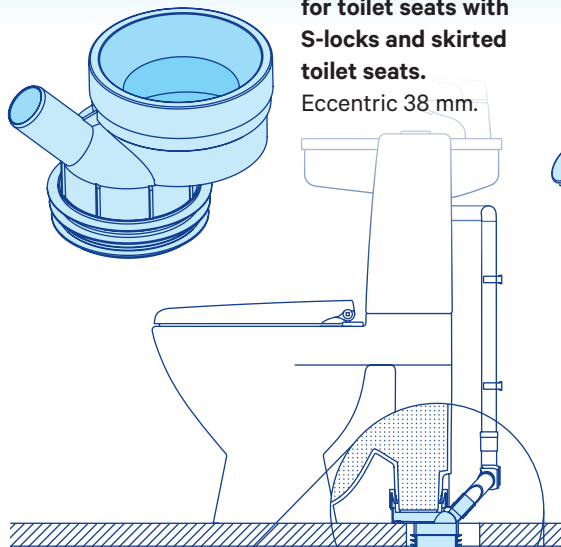


Mounting instructions for Merika® toilet sleeve with a side connection Merika 11112, 11113 and 11114

A toilet sleeve that suits for toilet seats with S-locks and skirted toilet seats.

Eccentric 38 mm.



Parts of the toilet sleeve

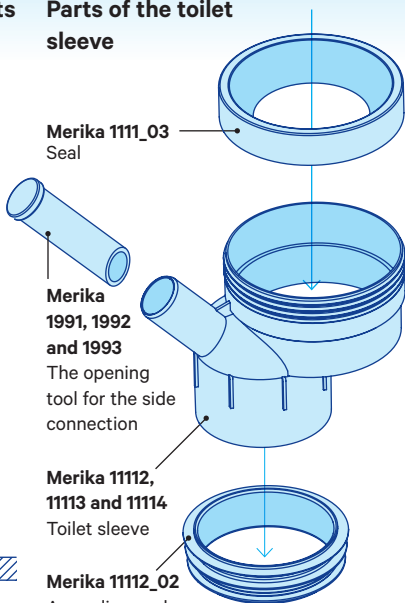
Merika 1111_03 Seal

Merika 1991, 1992 and 1993

The opening tool for the side connection

Merika 11112, 11113 and 11114 Toilet sleeve

Merika 11112_02 Accordion seal



Toilet sleeves

Merika no.	side conn. size	HVAC no.
11112	32 mm	5758262
11113	40 mm	5758263
11114	50 mm	

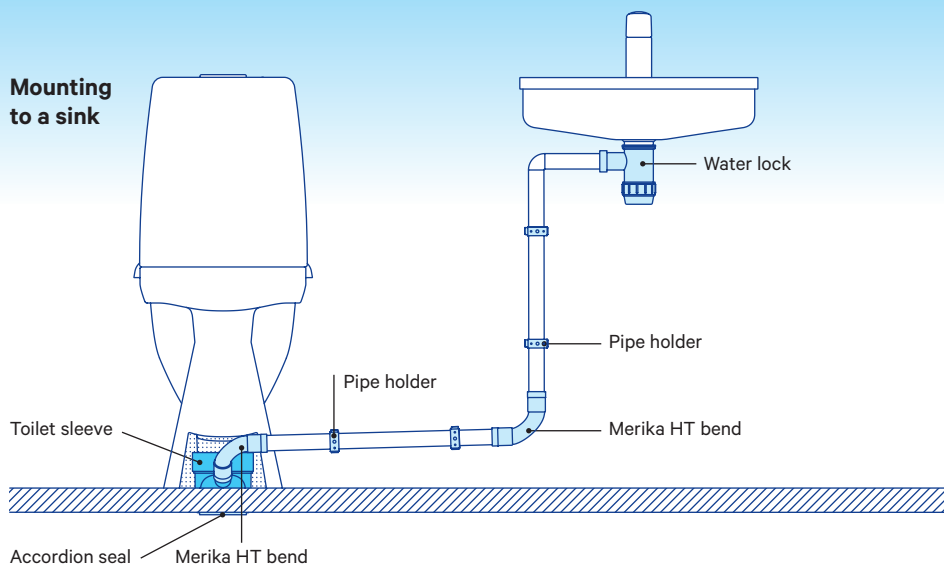
Opening tools

Merika no.	size	HVAC no.
1991	32 mm	3311417
1992	40 mm	3311425
1993	50 mm	

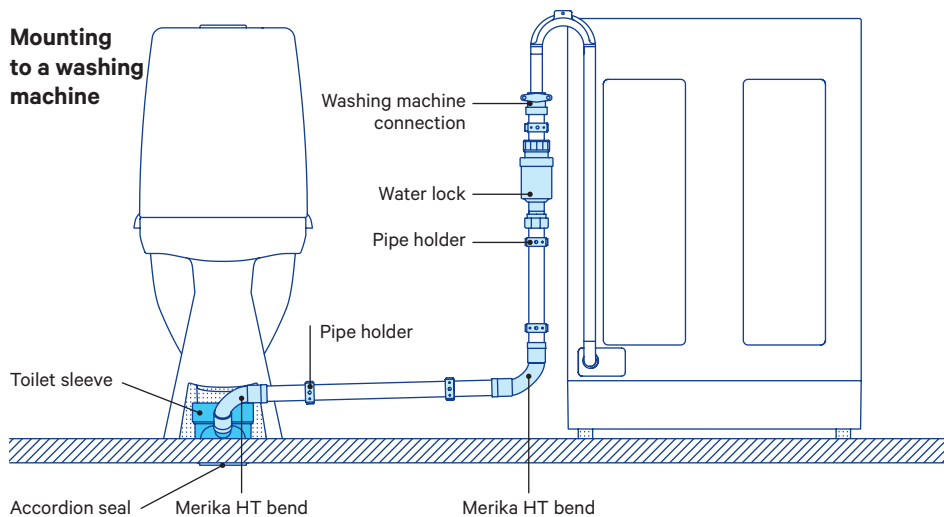
Note in the mounting that the sewer pipe for the toilet seat must be cut by the floor surface.

Mounting examples

Mounting to a sink



Mounting to a washing machine



Meriser Oy
Kauppatie 2
29900 Merikarvia, Finland
Tel. +358 207 189 810
www.merika.fi
merika@meriser.fi

In addition to these instructions, the regulations of *D1* of the Ministry of the Environment and the *C2* in the National Building Code of Finland must be followed. We follow the terms of the Association of Technical Traders.

