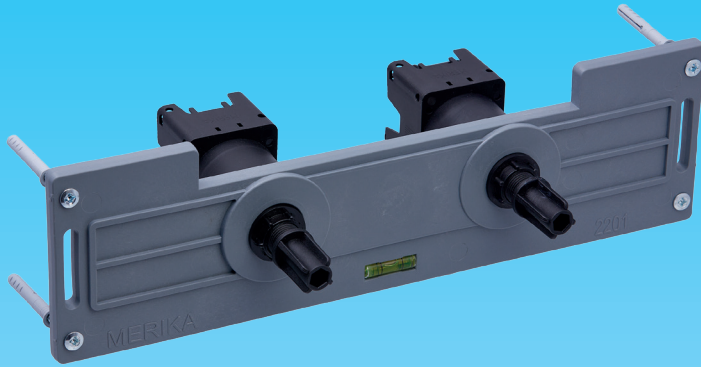
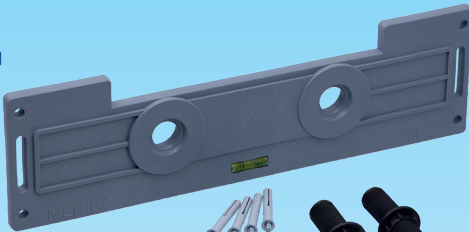


Merika® brickwork support plate with a bubble level

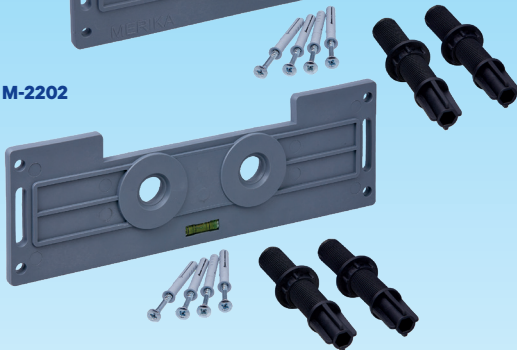


Plastic Merika brickwork support plates are used when mounting tap angle boxes on a concrete block or stone wall

M-2201



M-2202



Merika no 2201

- HVAC no 7037033
- gap 150 mm
- e.g. for a shower mixer

Merika no 2202

- HVAC no 7037034
- gap 100 mm
- e.g. for a wash sink

The Merika brickwork support plates are supplied with:

- bubble level, mounted on the brickwork support plate
- 2 pcs mountingcouplings, Merika no 20211 HVAC no 7037045
- 4 pcs wall plugs

Accessories

Merika no 22371

MekaPjk pull out tool for inner nut
HVAC no 2014206



Meriser Oy

Kauppatie 2, 29900 Merikarvia
Tel. +358 (0)207 189 810
www.merika.fi, merika@meriser.fi



Quality for HVAC
Technology

