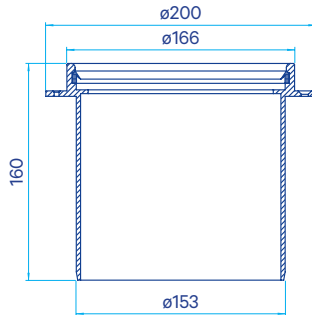


# Installation instructions for Merika® build-up ring



## Merika no. 412



- **Size:** 150 × 160
- **Weight/kg:** 0,402
- **HVAC no:** 3318117
- For vinyl floor and tile installation
- For wooden and concrete floors
- The delivery includes 3 screws

- Note! The build-up ring must be cut straight.
- The build-up ring is lubricated with a lubricant and pressed to its place.
- Note in the installation that the screws of the build-up ring (3 pcs) are screwed to their places but **not tightened**. The screws do not need to be tightened as the sealing is in the over sheath of the build-up ring/floor drain. Tightening the screws will deform the floor drain/build-up ring.

### Spare parts:

**M-202\_03** Lip seal for a floor drain, new 160

Practical screw fastening  
to a floor drain



**Meriser Oy**

Kauppatie 2, 29900 Merikarvia

tel. 0207 189 810

[www.merika.fi](http://www.merika.fi), [merika@meriser.fi](mailto:merika@meriser.fi)

In addition to this guide, the decrees 782/2017 on Humidity control performance and 814/2020 on Water supply and sewerage equipment of properties given by the Ministry of the Environment shall be followed. The installation work must always be made by a HVAC professional. We follow the terms of the Association of Technical Traders.



Quality for HVAC  
Technology

